

1、OUTPUT/输出:

DC VOLTAGE /DC 电压: 24V

RATED CURRENT/额定电流: 1.25A

CURRENT RANGE/电流范围: 0~1.25A

RATED POWER/额定功率: 30W

RIPPLE&NOISE(max.)纹波&噪音: 300mVp-p

LINE REGULATION /线性调整率: $\pm 1\%$

LOAD REGULATION /负载调整率: $\pm 1\%$

SETUP,RISE TIME/启动上升时间: 1000mS,50mS/230VAC 2000mS,50mS/115VAC at full load

HOLD UP TIME (Typ.)/保持时间: 20mS/230VAC 10mS/115VAC at full load

Efficiency/效率: 当输入 115Vac 和输出最大负载时,最小 77%.

77% Min. at 115Vac input and output Max.Load.

当输入 230Vac 和输出最大负载时,最小 77%.

77% Min. at 230Vac input and output Max.Load

2、INPUT/输入:

2.1 输入电压/Input Voltage:

额定电压/Rated Voltage:100 ~ 240Vac

调整范围/Variation Range:90-264Vac

2.2 输入频率/Input Frequency:

额定频率/ Rated Frequency: 50/60Hz.

调整频率/Variation Frequency:47-63Hz

2.3 输入电流/Input Current:

当输入交流电压为额定值的下限电压负载满载时,最大输入交流电流 0.8A.

0.8Amps max At any input voltage and rated, DC output rated load.

3、PROTECTION/保护:

3.1 OVERLOAD/过载:

在额定负载的 105-160%的输出功率下能正常工作 3 秒以上,然后关闭输出,并能重启恢复.

Normally works within 105-160% rated output power for more than 3 seconds and then latch off O/P voltage with restart recovery .

3.2 OVER VOLTAGE/过压:

过压点: 28.8-33.6V

保护型式: 过压时关闭输出并能重启恢复

OVER VOLTAGE point:28.8-33.6V

Protection type:Shut down O/P voltage with restart recovery.

3.3 OVER TEMPERATURE Protection /过温:

100°C±5°C(温度开关:侦测锁功率开关散热的温度)

保护型式: 过温时关闭输出并能在降温后自恢复

100°C±5°C(TSW:detect on heatsink of power switch)

Protection type:Shut down O/P voltage,recovery automatically after temperature goes down.

4、ENVIRONMENT/环境:

4.1 工作温度/Operating Temperature:

-10°C-40°C

4.2 工作湿度/Relative Humidity:

20%~90%,RH 非冷凝./20%~90% RH non-condensing.

4.3 储藏温度;湿度/Storage Temperature; Humidity:

-40°C-85°C, 10%~95%,RH

5、SAFETY&EMC/安规&EMC:

5.1 安全:符合标准 EN62368-1.

Safety:Comply with EN62368-1

5.2 绝缘阻抗: 输入-输出, 输入-地, 输出-地: 最小阻抗 100MΩ/500VDC/25°C/70%RH

Insulation Resistance: I/P-O/P,I/P-FG,O/P-FG: > 100MΩ/500VDC/25°C/70%RH

5.3 高压/DIELECTRIC WITHSTAND Hi-Pot:

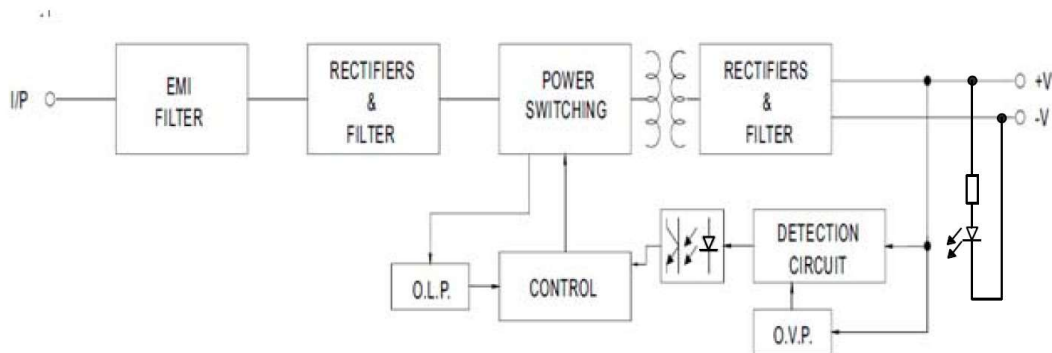
HI-POT--- I/P-O/P: 3KVAC I/P-FG:2KVAC O/P-FG:0.5KVAC O/P-DC OK:0.5KVAC

5.4 EMC 标准/EMC STANDARD

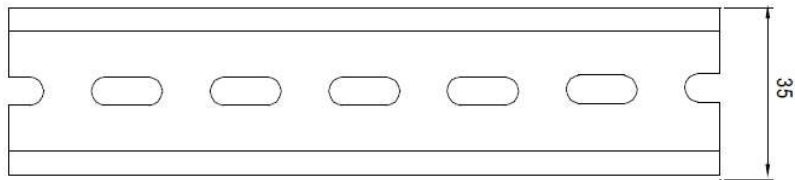
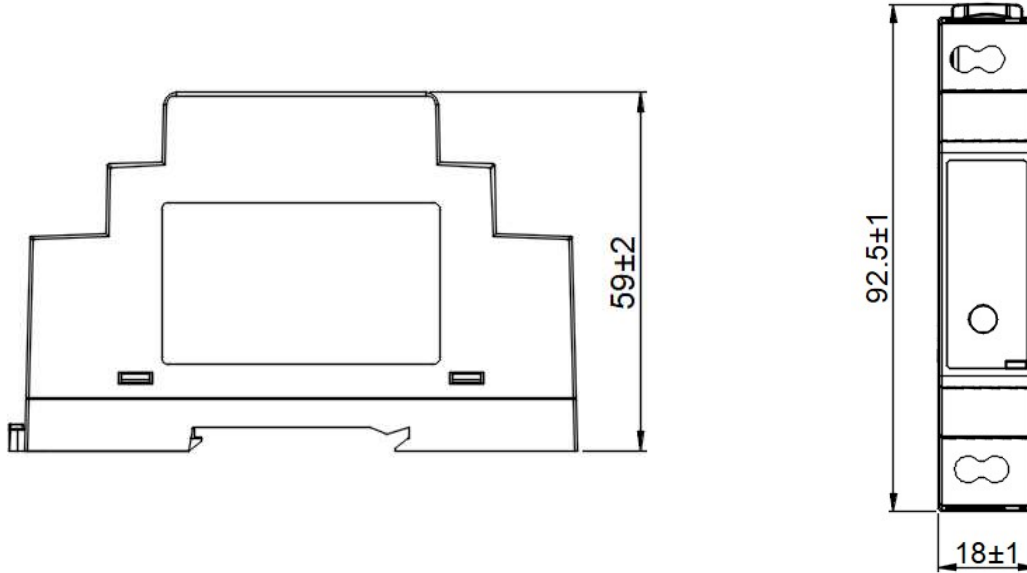
测试符合/Meets the Limits of

EN 55032

6、电气方框图/ Electical Block Diagram



6、外形尺寸/OUTLINE DIMENSION:



ADMISSIBLE DIN-RAIL: TS35/7.5 OR TS35/15

Terminal Pin No. Assignment

Pin No.	Assignment	Pin No.	Assignment
1	+V	3	AC/N
2	-V	4	AC/L